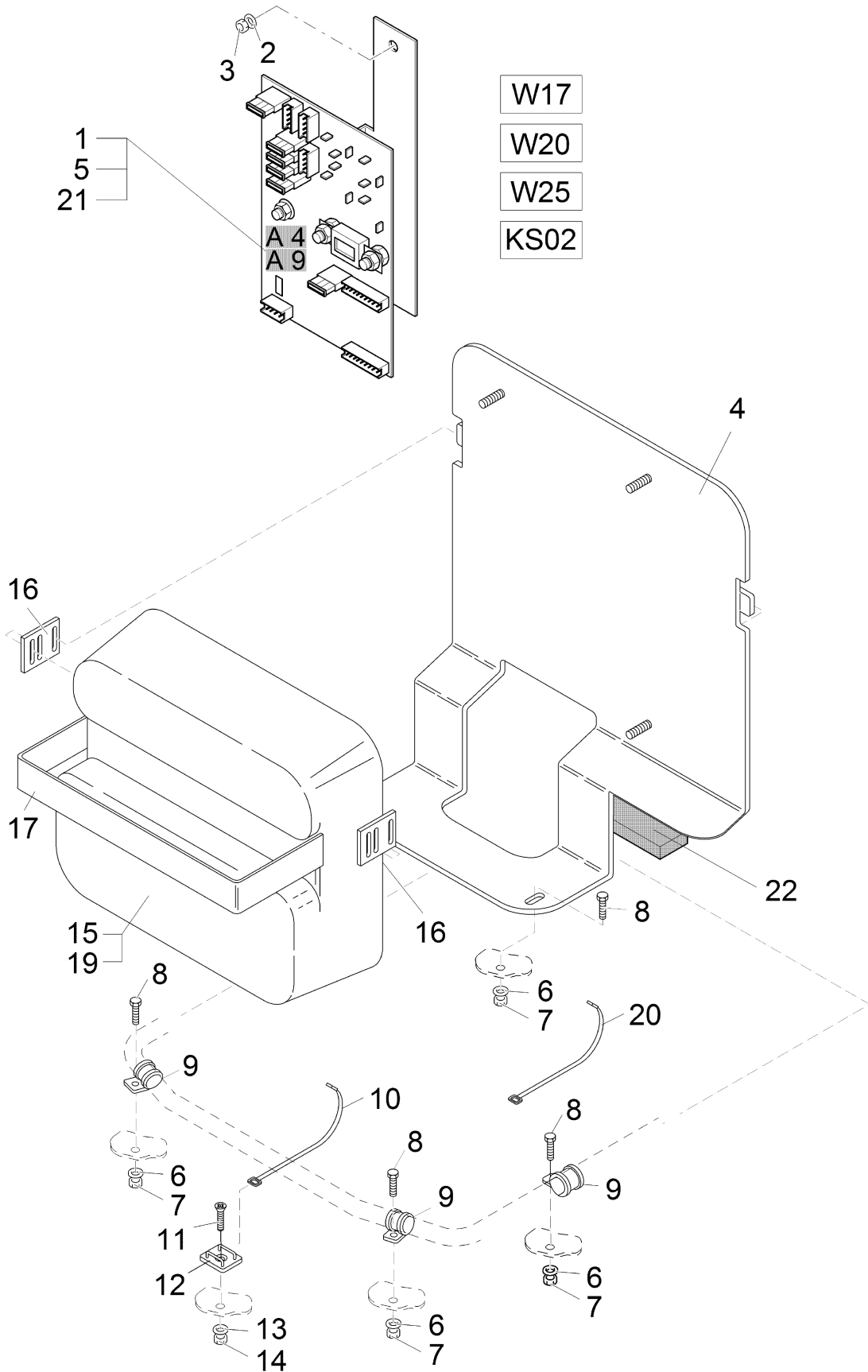


Electric Pre-sweep-attachment (97049092)



Pos.	Part No.	Material number	Description	Qty.	Unit	Remarks
1	00512460	97056998	Module 3E	1	PC	
2	00042900	12332029	Washer	2	PC	
3	00051510	12040051	Hex. Nut	2	PC	
4	00722230	96075643	Console L.H.	1	PC	in direction of travel: right hand!
5	00874970	19731256	Fuse	3	PC	
6	00053730	12310033	Washer	3	PC	
7	00051520	12040044	Hex. Nut	3	PC	
8	00053020	11038098	Hexagon screw	3	PC	
9	00130250	17529074	Pipe clamp	3	PC	
10	00967760	90156688	Cable tie	4	PC	
11	00731550	11175056	Fillister-head screw	1	PC	
12	00780710	90125444	Socket	1	PC	
13	00053710	12310017	Washer	1	PC	
14	00133830	12040028	Hex. Nut	1	PC	
15	00831900	90335472	Hood	1	PC	
16	00109580	90246653	Bracket	4	PC	
17	01177110	90566233	Tension band	2	PC	
19	00752350	25583089	Edge protection	1	M	
20	00121150	90114810	Cable tie	20	PC	
21	00874960	19731280	Fuse	2	PC	
22	00053980	90328097	Seal	2	PC	
KS02	03010300	97048755	Wiring harness W20	1	PC	
W17	03010270	97048953	Wiring harness W17	1	PC	
W20	03010280	97048748	Cable loom KS 02	1	PC	
W25	03010290	97048763	Wiring harness W25	1	PC	